

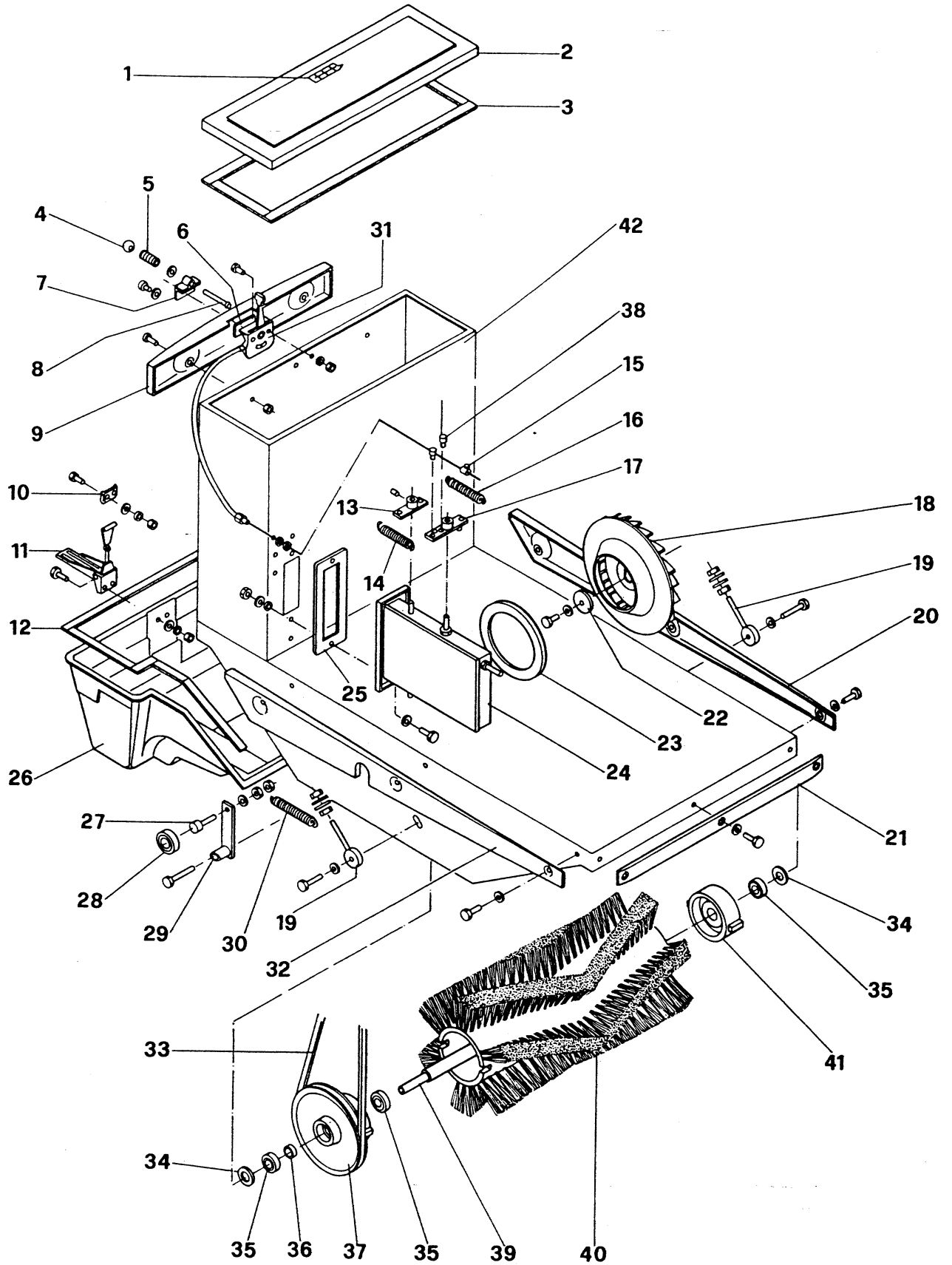
**WS 30**

3

---

**POWERBOSS®**



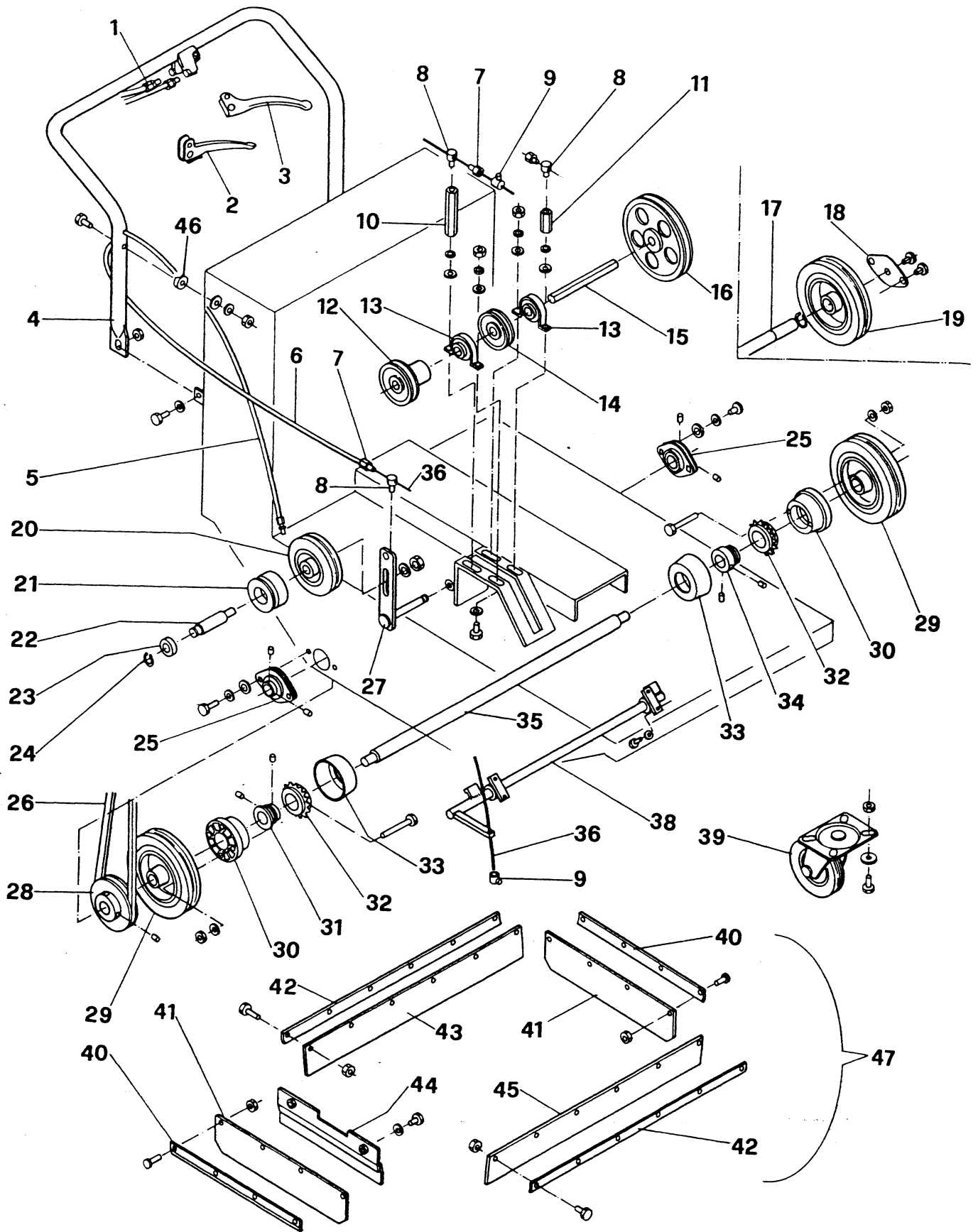


**DIAGRAM 1**

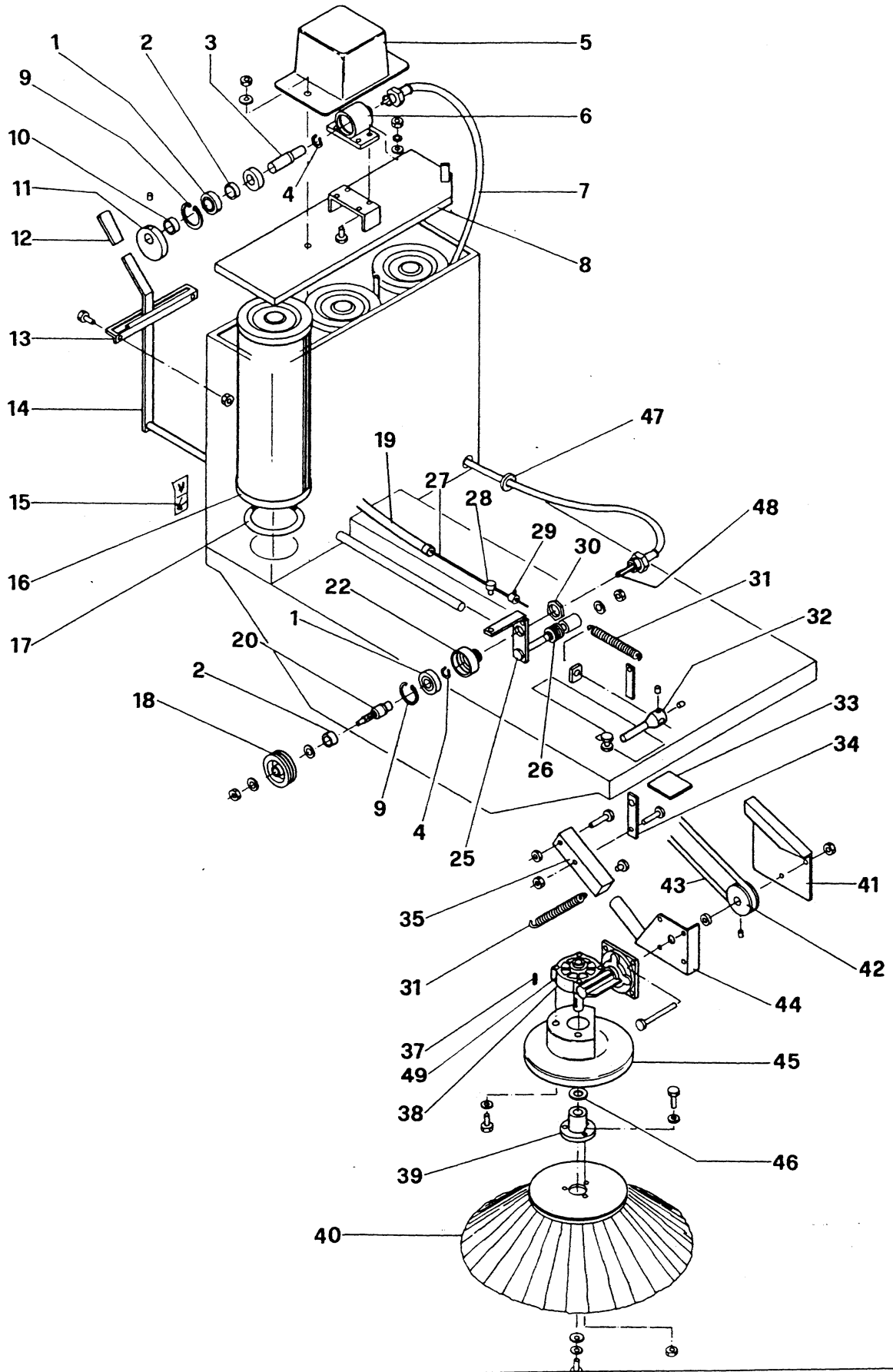
**WS 30**

96/10/9

<b>Ref. N°</b>	<b>Part. N°</b>	<b>Description</b>	<b>Briggs &amp; Stratton Qty</b>	<b>Electric Qty</b>
1	1000879	Decal	1	1
2	1000634	Lid	1	1
3	1001018	Gasket	1	1
4	1000671	Knob	1	1
5	1000944	Spring	1	1
6	1000015	Plate	1	1
7	1000129	Bracket	1	1
8	1000391	Pivot Pin	1	1
9	1000633	Cover - Grey	1	1
10	1001015	Keeper - Overcenter Latch	1	1
11	1001014	Latch - Over Center	1	1
12	1000756	Gasket	1	1
13	1000276	Lever	1	1
14	1000942	Spring	1	1
15	1000988	Clamp - Adjuster	2	2
16	1000941	Spring	1	1
17	1000277	Lever	1	1
18	1000661	Vacuum Fan	1	1
19	1000526	Adjuster	2	2
20	1000616	Left Bumper	1	1
21	1000615	Front Bumper	1	1
22	1000382	Washer	1	1
23	1000710	Washer	1	1
24	1000611	Housing	1	1
25	1000709	Gasket	1	1
26	1000612	Hopper	1	1
27	1000387	Pivot - Belt Tensioner	1	1
28	1000785	Bearing	1	1
29	1000279	Bracket - Belt Tensioner	1	1
30	1000939	Spring	1	1
31	1000970	Assy - Lever	1	1
32	1000614	Right Bumper	1	1
33	1000811	Belt	1	1
34	1000385	Spacer	2	2
35	1000786	Bearing	3	3
36	1000386	Spacer	1	1
37	1000567	Driver - Main Broom	1	1
38	1000987	Ratchet	2	2
39	1000384	Shaft	1	1
40	1000914	Main Broom	1	1
41	1000568	Idler - Main Broom	1	1
42	1000275	Main Frame	1	1



Ref. N°	Part. N°	Description	Briggs & Stratton Qty	Electric Qty
1	1001011	Adjuster	2	2
2	1000977	Brake Control Lever	1	1
3	1000978	Motion Control Lever	1	1
4	1000372	Handle	1	1
5	1000999	Sheath	1	1
6	1000983	Sheath	1	1
7	1000989	Adjuster	2	2
8	1000986	Ratchet	3	3
9	1000988	Clamp - Adjuster	1	1
10	1000380	Extension	1	1
11	1000381	Extension	1	1
12	1000580	Pulley	1	1
13	1000803	Bearing - Pillow Bolck	2	2
14	1000577	Pulley	1	1
15	1000379	Shaft	1	1
16	1000576	Pulley	1	1
17	1000389	Shaft	*1	-
18	1000014	Flange - Wheel	*2	-
19	1000839	Wheel	*2	-
20	1000837	Drive Wheel	1	1
21	1000571	Pulley	1	1
22	1000499	Shaft	1	1
23	1000784	Bearing	1	1
24	1001203	Retainer Ring	1	1
25	1000802	Flange Bearing	2	2
26	1000809	Belt	1	1
27	1000125	Bracket - Drive Wheel	1	1
28	1000581	Pulley	1	1
29	1000838	Wheel	2	2
30	1000654	Free Wheel Flange	2	2
31	1000482	Free Wheel Hub	1	1
32	1000852	Free Wheel	2	2
33	1000655	Dust - Casing	2	2
34	1000483	Free Wheel Hub	1	1
35	1000388	Shaft	1	1
36	1001012	Cable	1	1
38	1000351	Arm - Brake	1	1
39	1000840	Caster Wheel	1	1
40	1000012	Strap - Dust Flap	2	2
41	1000711	Dust Flap	2	2
42	1000011	Strap - Dust Flap	2	2
43	1000707	Dust Flap	1	1
44	1000725	Dust Flap	1	1
45	1000708	Dust Flap	1	1
46	1000663	Spacer	2	2
47	1000865	Kit - Dust Flaps	1	1



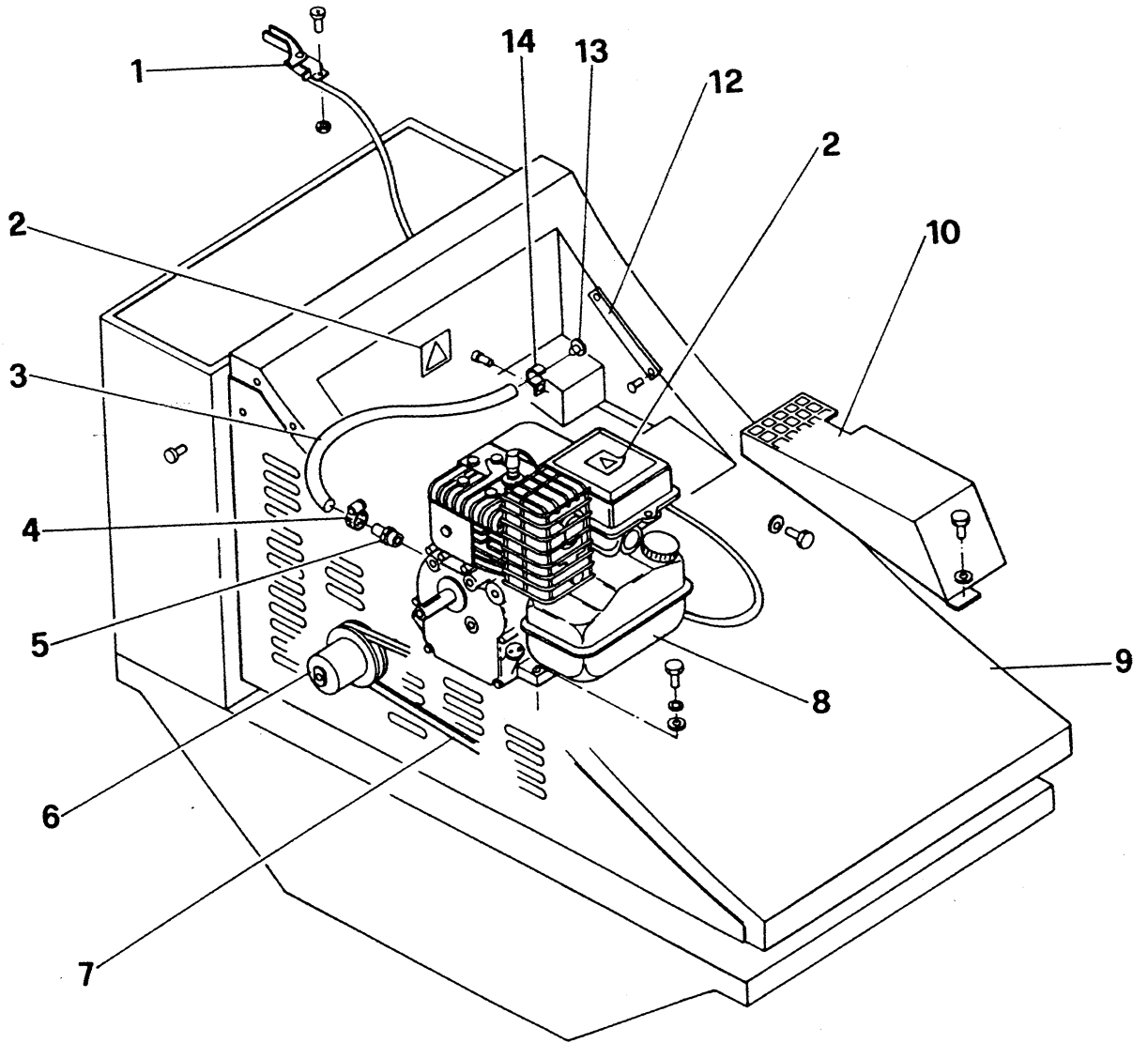
## DIAGRAM 3

WS 30

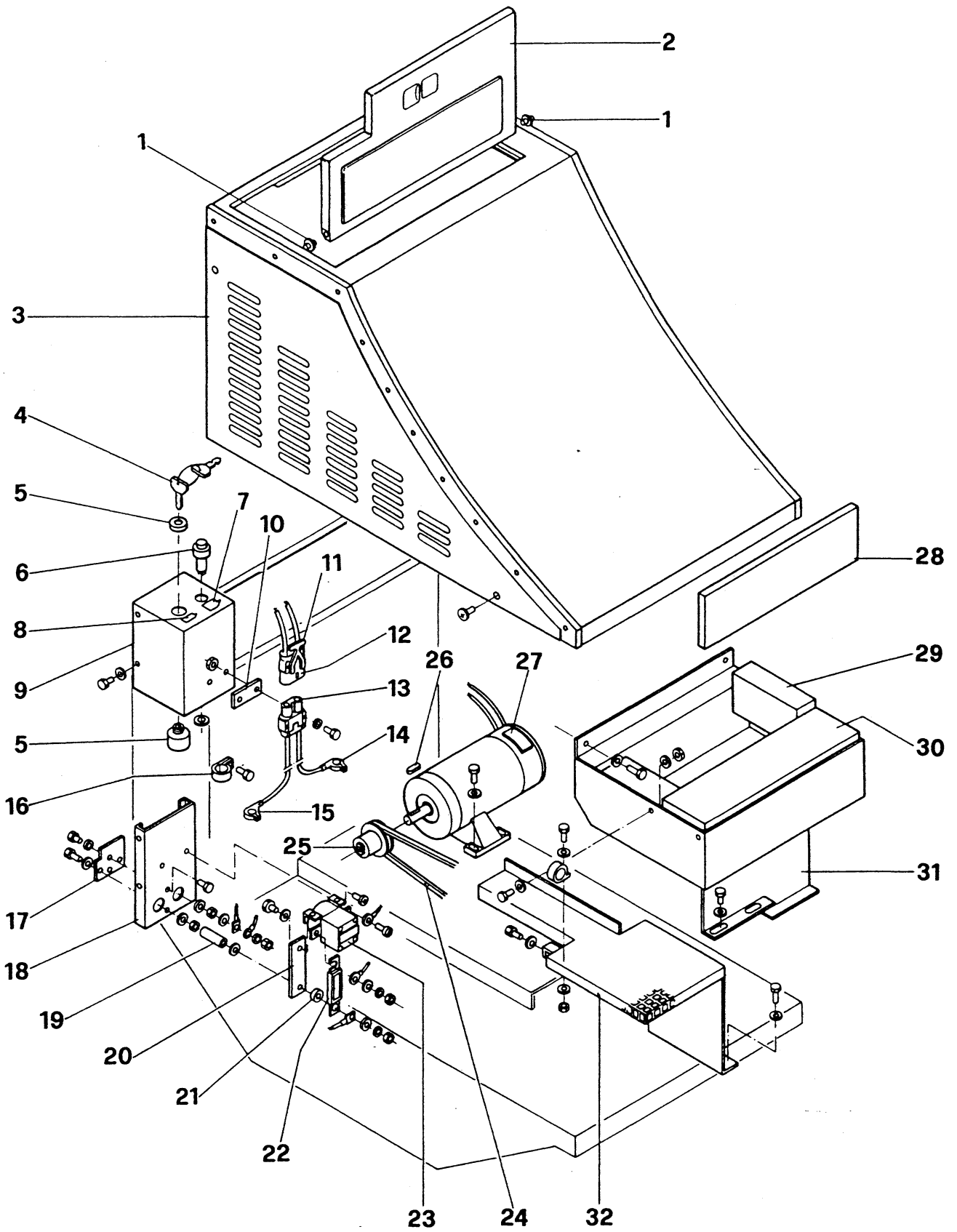
97/1/22

Ref. N°	Part. N°	Description	Briggs & Stratton Qty	Electric Qty
1	1000783	Bearing	3	3
2	1000376	Spacer	1	1
3	1000541	Shaft	1	1
4	1001202	Retainer - Snap Ring	2	2
5	1000610	Cover	1	1
6	1000566	Bearing Block	1	1
7	1001020	Drive - Flexible PTO	1	1
8	1000123	Cover - Filter	1	1
9	1001201	Retainer - Snap Ring	2	2
10	1000377	Spacer	2	2
11	1000480	Weight - Eccentric	1	1
12	1000662	Handle	1	1
13	1000126	Bracket - Lever Slot	1	1
14	1000278	Lever	1	1
15	1000880	Decal	1	1
16	1000915	Filter - Dust Control	3	3
17	1000732	Gasket - Filter	3	3
18	1000836	Wheel	1	1
19	1000985	Sheath	1	1
20	1000542	Shaft	1	1
22	1000378	Support	1	1
25	1000124	Assy - Wheel Bracket	1	1
26	1000941	Spring	1	1
27	1000984	Cable Wire	1	1
28	1000987	Ratchet	1	1
29	1000988	Clamp - Adjuster	1	1
30	1001183	Nut	1	1
31	1000939	Spring	1	1
32	1000481	Pivot	1	1
33	1000672	Square of Rubber	1	1
34	1000013	Bar	1	1
35	1000127	Support - Side Broom	1	1
37	1001230	Key	1	1
38	1000928	Gear Box	1	1
39	1000653	Side Brush Flange	1	1
40	1000913	Side Brush	1	1
41	1000111	Pulley Guard	1	1
42	1000579	Pulley	1	1
43	1000810	Belt	1	1
44	1000293	Arm - Side Broom	1	1
45	1000629	Shroud - Side Broom	1	1
46	1001200	Washer	1	1
47	1000668	Grommet	1	1
48	1001019	Flexible Transmission	1	1
49	1001360	Reduction gear	1	1





Ref. N°	Part. N°	Description	Briggs & Stratton Qty	Electric Qty
1	1000931	Accelerator Handle	-	-
2	1000907	Decal	-	-
3	1000664	Hose - Oil Drain	-	-
4	1001016	Clamp	-	-
5	1000390	Adapter - Hose Nipple	-	-
6	1000569	Pulley	-	-
7	1000812	Belt	-	-
8	1000930	Engine Briggs & Stratton 3,5 HP black	-	-
9	1000630	Grey	-	-
10	1000265	Guard	-	-
12	1000074	Bar	-	-
13	1000665	Rubber Plug	-	-
14	1001017	Clamp - Hose	-	-

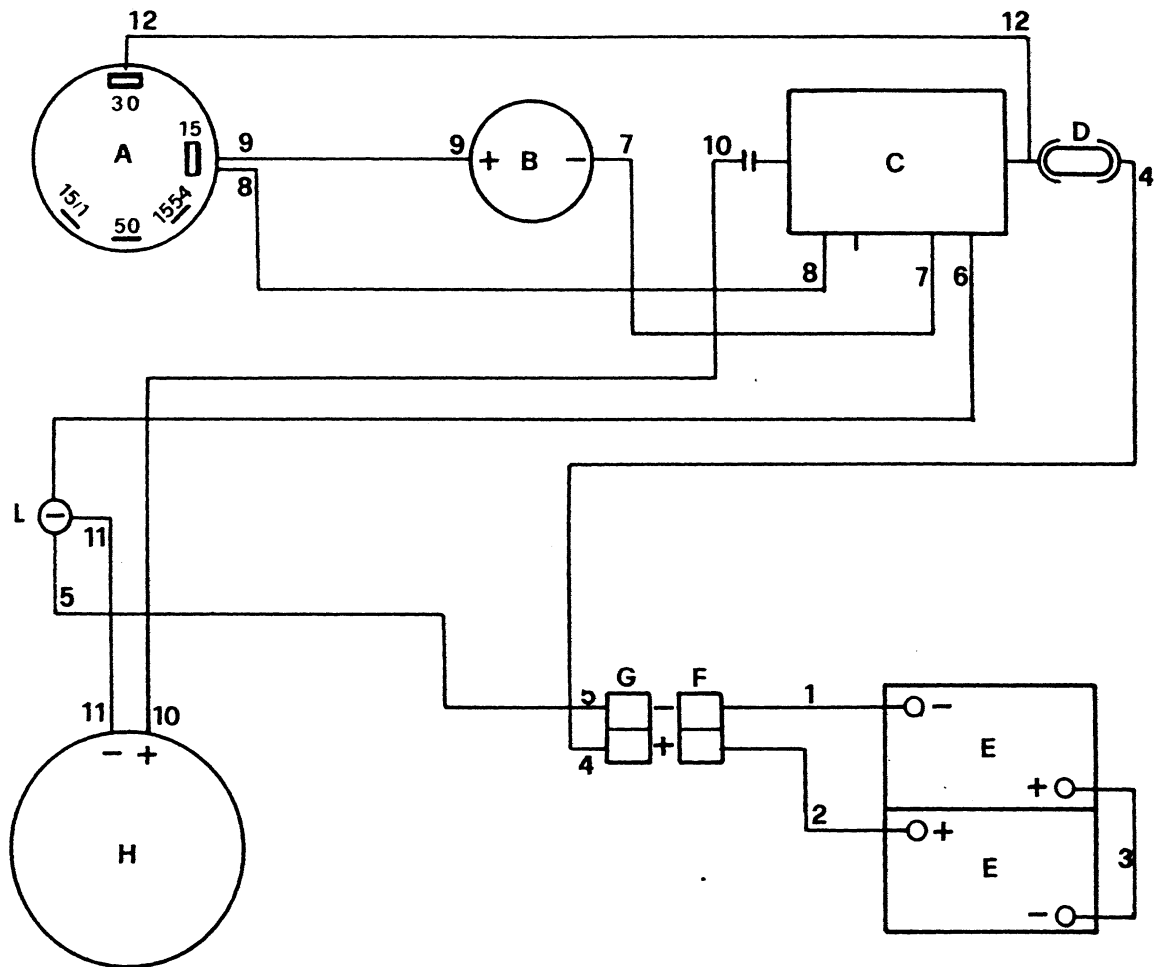


## DIAGRAM 5

WS 30

96/10/9

Ref. N°	Part. N°	Description	Briggs & Stratton Qty	Electric Qty
1	1000669	Pin - Lid Pivot	-	2
2	1000613	Lid - Access, White	-	1
2	1000632	Lid - Access, Grey	-	1
3	1000631	Cover - Grey	-	1
4	1001153	Key Set - Ignition	-	1
5	1001154	Switch - Ignition	-	1
6	1001135	Battery Charge Indicator	-	1
7	1000878	Decal - Battery Charge	-	1
8	1000892	Decal - On/Off	-	1
9	1000263	Instruments Panel	-	1
10	1000110	Plate	-	1
11	1001111	Handle - Battery Connector	-	1
12	1001110	Connector - Battery	-	1
13	1001109	Connector - Battery	-	1
14	1001131	Battery Lead - Negative	-	1
15	1001130	Battery Lead - Positive	-	1
16	1001125	Clamp	-	1
17	1000761	Bakelite Base	-	1
18	1000262	Plate - Electric Control	-	1
19	1000071	Spacer	-	1
20	1000432	Spacer	-	1
21	1000432	Spacer	-	1
22	1001099	Fuse 50A	-	1
23	1001144	Switch - Solenoid	-	1
24	1000813	Belt	-	1
25	1000570	Pulley	-	1
26	1001219	Key	-	1
27	1001065	Motor - Electric, 12 V	-	1
28	1001048	Spacer - Poly	-	1
29	1001021	Spacer - Poly	-	2
30	1001047	Spacer - Poly	-	1
31	1000128	Case - Battery	-	1



WS 30 E

WIRING DIAGRAM	
A	STARTER KEY SWITCH
B	BATTERY CHARGE INDICATOR
C	RELAY
D	FUSE 50 A
E	BATTERIES
F	BATTERY CONNECTOR
G	CONNECTOR
H	12 V ELECTRIC MOTOR
L	NEGATIVE POLE

